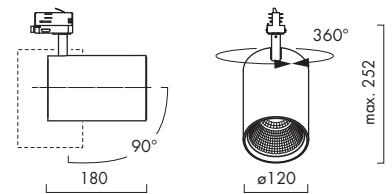


Spotlights SUNO TLS



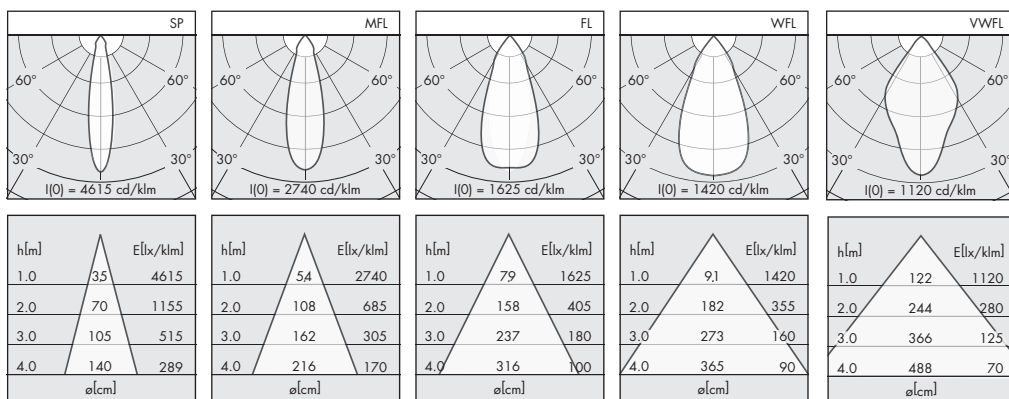
- Lighting technology LED
- For three-circuit track or surface mounting
- Surface mounted by means of ceiling jack for adapter
- Tilting and turning (360°/90°)
- with integral reflector SP, MFL, WFL or VWFL
- Connection data: 220-240 V, 50/60 Hz
- DALI control system is possible
- Weight 1.3 kg
- Colors: white/anthracite/silver

IP20



Photometric data	CRI Light colour	Lumen category	P _{system}	Efficiency	Reflector
	830	3000 lm	26 W	119 lm/W	SP MFL FL WFL VWFL
		4000 lm	36 W	114 lm/W	
	840 927 Brilliant (930) = Best Color/Best White	Photometric data on request			

The photometric values are standard values and refer to the entire luminaire.
In the case of CRI ≥ 90 the efficiency is approx. 10-15 % lower.



Optional accessories

Ceiling jack for adapter

white
black

Article number

16 NK 70319002
16 NK 70319003

Recessed ceiling jack

white
black

16 NK 70360002
16 NK 70360003