

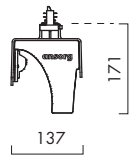
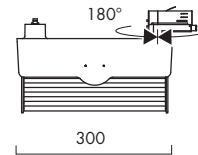
# Spotlights

## NAVO NSK\_DF



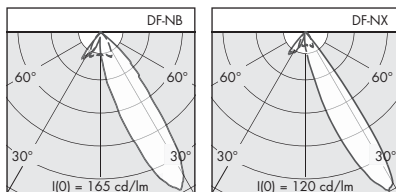
- Lighting technology LED
- Spotlight as directional washer
- For three-circuit track
- With integral reflector DF-NB or reflector DF-NX
- Interchangeable reflectors
- Connection data: 220-240 V, 50/60 Hz
- DALI control system is possible
- Weight approx. 1.6 kg
- Colours: white/anthracite/silver

ERC  IP20



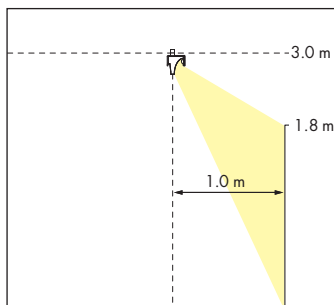
Photometric data	CRI Light colour	Lumen category	P <sub>system</sub>	Efficiency	Reflector
	830	4000 lm	<b>32 W</b>	130 lm/W	DF-NB DF-NX
		6000 lm	<b>47 W</b>	130 lm/W	
	840 927	Photometric data on request			

The photometric values are standard values and refer to the entire luminaire.  
In the case of CRI ≥ 90 the efficiency is approx. 10-15 % lower.

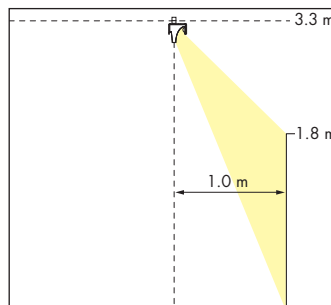


### Planning information

**DF-NB**  
preferred mounting height track  
3.0 m



**DF-NX**  
preferred mounting height track  
3.3 m



Other aisle widths on request.

### Optional accessories

Safety glass

Set of end lamellae reflectors for lateral glare suppression  
(1 pair left/right)

Set of interchangeable reflector (1x reflector/1x lamellae)

### Article number

**17 AD 0101**

for NB reflector **17 RF 2000**  
for NX reflector **17 RF 2001**

NB reflector **17 RF 2002**  
NX reflector **17 RF 2003**