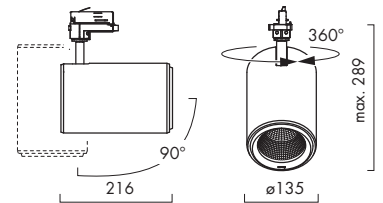


Spotlights CORAY CLT



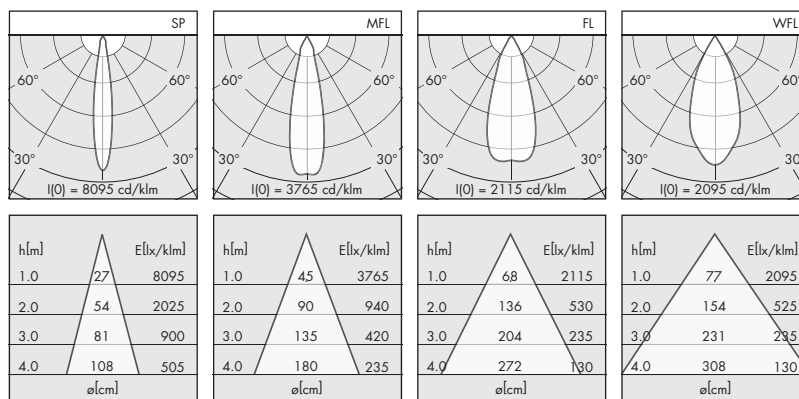
- Lighting technology LED
- For three-circuit track or surface mounting
- Surface mounted by means of ceiling jack for adapter
- Tilting and turning (360°/90°)
- With integral reflector SP, MFL, FL or WFL
- Connection data: 220-240 V, 50/60 Hz
- DALI and INspire-Lighting control system is possible
- Weight 2.1 kg
- Colors: white/anthracite/silver

IP20



Photometric data	CRI Light colour	Lumen category	P _{system}	Efficiency	Reflector
	830	4000 lm	36 W	113 lm/W	SP MFL FL WFL
		5000 lm	46 W	110 lm/W	
	840 927 Brilliant (930) = Best Color/Best White Meat	Photometric data on request			

The information for the photometric values are standard values and refer to the entire luminaire.
In the case of CRI ≥ 90 the efficiency is approx. 10-15 % lower.



Optional accessories

Interchangeable reflector

SP	17 CL 0300-01
MFL	17 CL 0300-02
FL	17 CL 0300-03
WFL	17 CL 0300-04

Ceiling jack for adapter

white	16 NK 70319002
black	16 NK 70319003

Recessed ceiling jack

white	16 NK 70360002
black	16 NK 70360003