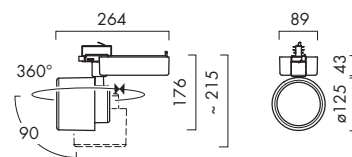


Spotlights BOP BKL



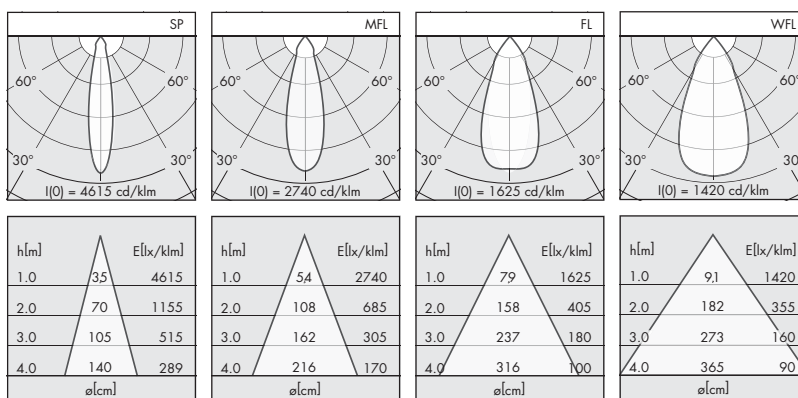
- Lighting technology LED
- For three-circuit track
- Tilting and turning (360°/90°)
- With integral reflector SP, MFL, FL or WFL
- Connection data: 220-240 V, 50/60 Hz
- EASY-Lighting control system is possible
- Weight 1.4 kg
- Colours: white/anthracite/silver

ERC  IP20



Photometric data	CRI Light colour	Lumen category	P _{system}	Efficiency	Reflector
	830	2000 lm	17 W	128 lm/W	SP MFL FL WFL
		3000 lm	26 W	119 lm/W	
		max. 4500 lm	40 W	113 lm/W	
840 927 Brilliant (930) = Best Color/Best White Meat	Photometric data on request				

The photometric values are standard values and refer to the entire luminaire.
In the case of CRI ≥ 90 the efficiency is approx. 10-15 % lower.



Optional accessories

Interchangeable reflector

SP
MFL
FL
WFL

Article number

17 HY2 BXX.
17 HY2 CXX.
17 HY2 DXX.
17 HY2 EXX.

Glare reduction asymmetric

Glare reduction cylindrical

17 ZR 0004-...
17 ZR 0005-...