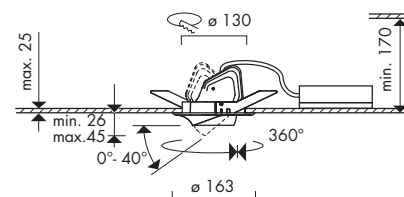


# Recessed spotlights VECTO VMM



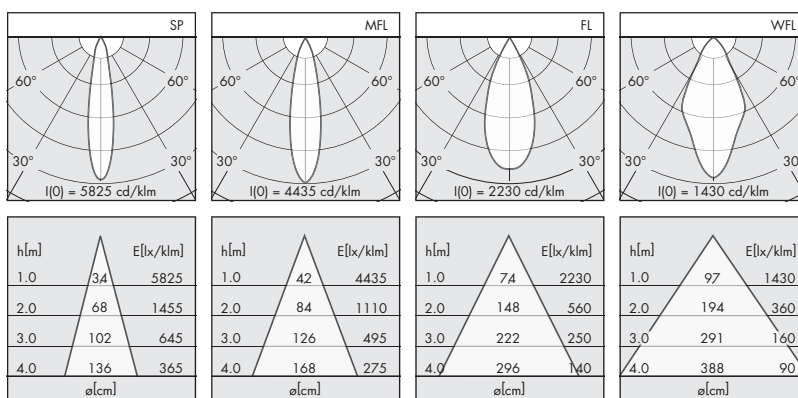
- Lighting technology LED
- Tilting and turning (360°/0°-40°)
- With integral reflector SP, MFL, FL or WFL
- Supply unit included
- Connection data: 220-240 V, 50/60 Hz
- Connection to power supply by Wieland plug GST18i3; wire length l = 0.5 m
- DALI and EASY-Lighting Control system is possible (Easy Lighting Control not for use in metal ceilings)
- Weight approx. 0.8 kg
- Colors: white/anthracite/silver

ERC  IP20



Photometric data	CRI Light colour	Lumen category	P <sub>system</sub>	Efficiency	Reflector
	830	2000 lm	<b>17 W</b>	125 lm/W	SP MFL FL WFL
		3000 lm	<b>29 W</b>	107 lm/W	
	840 927 Brilliant (930) = Best Color/Best White	Photometric data on request			

The photometric values are standard values and refer to the entire luminaire.  
In the case of CRI ≥ 90 the efficiency is approx. 10-15 % lower.



## Optional accessories

Interchangeable reflector

SP  
MFL  
FL  
WFL

## Article number

**17 HLC 610-...**  
**17 HLC 810-...**  
**17 HLC 210-...**  
**17 HLC 110-...**