

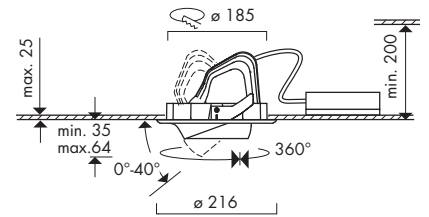
Recessed spotlights

VECTO VML



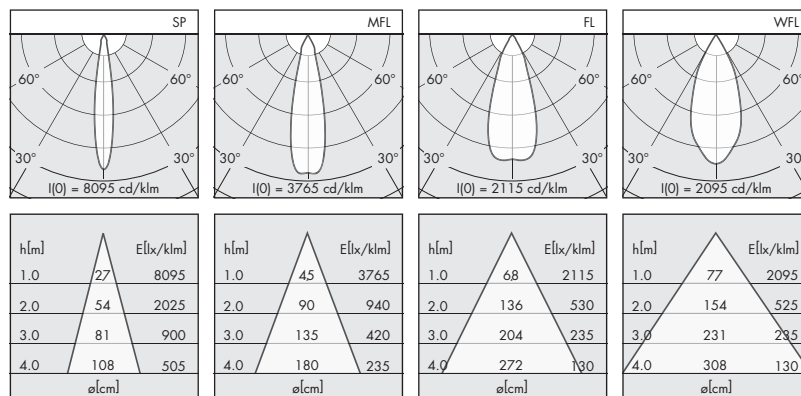
- Lighting technology LED
- Tilting and turning (360°/0°-40°)
- With integral reflector SP, MFL, FL or WFL
- Supply unit included
- Connection data: 220-240 V, 50/60 Hz
- Connection to power supply by Wieland plug GST18i3; wire length l = 0.5 m
- DALI and EASY-Lighting Control system is possible (Easy Lighting Control not for use in metal ceilings)
- Weight approx. 1.5 kg
- Colours: white/anthracite/silver

ERC  IP20



Photometric data	CRI Light colour	Lumen category	P _{system}	Efficiency	Reflector
	830	3000 lm	26 W	119 lm/W	SP MFL FL WFL
		4000 lm	36 W	114 lm/W	
		5000 lm	44 W	117 lm/W	
840 927 Brilliant (930) = Best Color/Best White Meat	Photometric data on request				

The photometric values are standard values and refer to the entire luminaire.
In the case of CRI ≥ 90 the efficiency is approx. 10-15 % lower.



Optional accessories

Interchangeable reflector

SP
MFL
FL
WFL

Article number

17 HLG 610-...
17 HLG 810-...
17 HLG 210-...
17 HLG 110-...