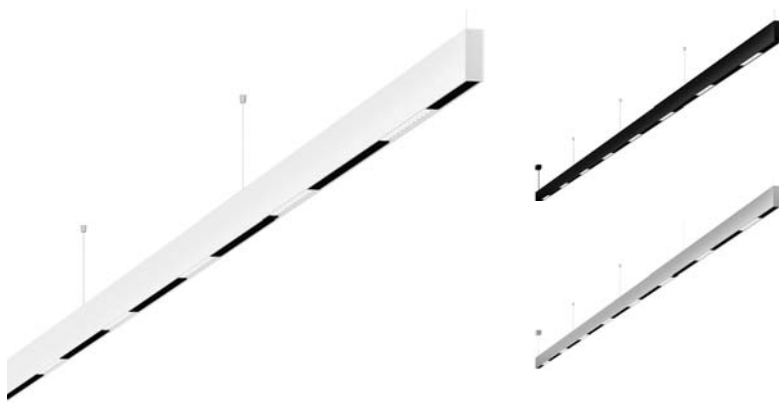
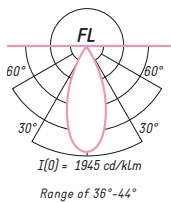


Linear systems

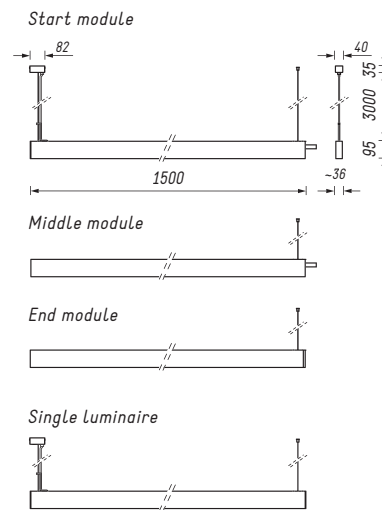
Shyn SZL



- Lighting technology LED
- Suspended lighting system consisting of starting, middle and end modules, also available as a single luminaire
- 2 optics with 12 LEDs per module
- Beam angle characteristic of the optics FL
- Steel rope suspensions and connection cable max. 3 m
- Supply unit included
- Two versions: Standard or with DALI lighting control
- Colours: white, anthracite, silver; lower cover always in deep black



For ldt-data see www.ansorg.com



All dimensions in mm

For 3D data see www.ansorg.com

Photometric information

Information	Values
Connection data	220-240 V, 50/60 Hz / 110-127 V, 50/60 Hz
Weight	approx. 3.5 kg
Colour tolerance	3SDCM (MacAdam)
Maintenance of luminous flux	L80/B10 = 50,000h, Ta 25 °C
Failure rate	C0/B10 = 50,000h, Ta 25 °C
Photobiological safety	RG1
Number per circuit breaker B 16A	15
Protection class	1
Type of protection	IP20
Certification mark	EAC

Linear systems

The photometric values are standard values and refer to one module.

Photometric data	<i>CRI Light colour</i>	<i>Luminous flux luminaire</i>	<i>P_{system}</i>	<i>System Efficiency</i>
	830	4230 lm	38 W	111 lm/W
	840	4530 lm	38 W	119 lm/W
	930	3480 lm	38 W	92 lm/W
	940	3720 lm	38 W	98 lm/W

Conforme a IEC 62722-1, los valores nominales indicados del flujo luminoso total y de la potencia eléctrica no deben variar en más del 10%.

Planing information

