

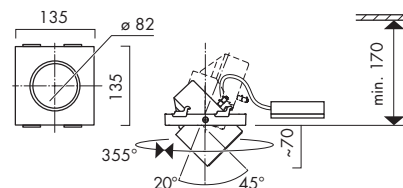
# Recessed spotlights

## LIGHTSTRIPE LMR

IP20

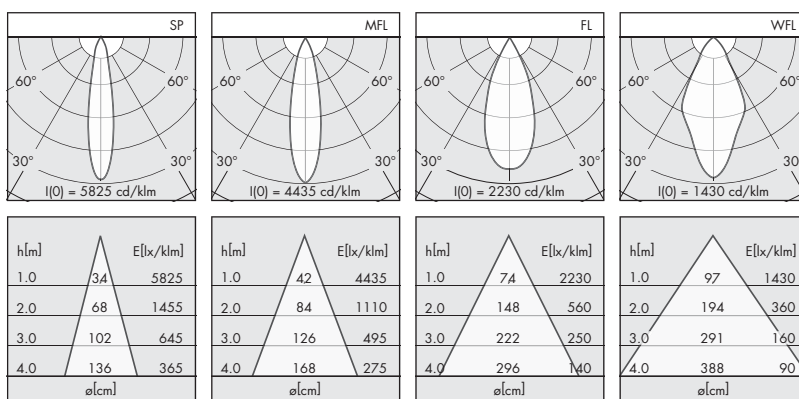


- Lighting technology LED
- Tilting and turning (355°/from -20° to +45°)
- Fitting of the function panel in the frame without the use of tools
- With integral reflector SP, MFL, FL or WFL
- Supply unit included
- Connection data: 220-240 V, 50/60 Hz
- Connection to power supply by Wieland plug GST18i3; wire length l = 0.5 m
- DALI and EASY-Lighting Control system is possible (Easy Lighting Control not for use in metal ceilings)
- Weight approx. 1.2 kg
- Colors: white/anthracite/silver



Photometric data	CRI Light colour	Lumen category	P <sub>system</sub>	Efficiency	Reflector
	830	2000 lm	<b>17 W</b>	125 lm/W	SP MFL FL WFL
		3000 lm	<b>29 W</b>	107 lm/W	
	840 927 Brilliant (930) = Best Color/Best White	Photometric data on request			

The photometric values are standard values and refer to the entire luminaire. In the case of CRI ≥ 90 the efficiency is approx. 10-15 % lower.



### Optional accessories

Interchangeable reflector

	Article number
SP	<b>17 HLB 610</b>
MFL	<b>17 HLB 810</b>
FL	<b>17 HLB 210</b>
WFL	<b>17 HLB 110</b>