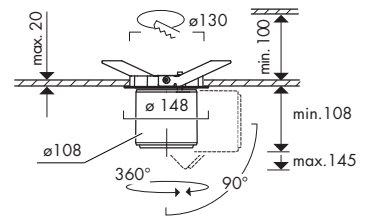


Recessed spotlights CORAY CMN



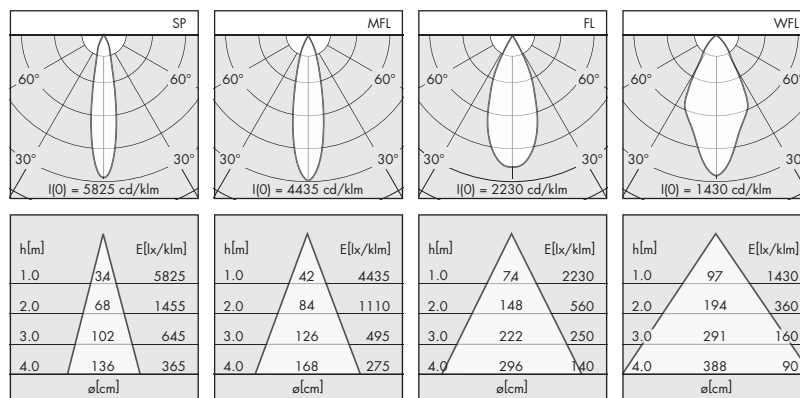
- Lighting technology LED
- Tilting and turning (360°/90°)
- With integral reflector SP, MFL, FL or WFL
- Supply unit included
- Connection data: 220-240 V, 50/60 Hz
- Connection to power supply by Wieland plug GST18i3; wire length l = 0.5 m
- DALI and EASY-Lighting control system is possible (EASY-Lighting controller does not work in metal ceilings)
- Weight approx. 1.2 kg
- Colors: white/anthracite/silver

IP20



Photometric data	CRI Light colour	Lumen category	P _{system}	Efficiency	Reflector
	830	2000 lm	17 W	125 lm/W	SP MFL FL WFL
		3000 lm	29 W	107 lm/W	
	840 927 Brilliant (930) = Best Color/Best White	Photometric data on request			

The photometric values are standard values and refer to the entire luminaire.
In the case of CRI ≥ 90 the efficiency is approx. 10-15 % lower.



Optional accessories

Interchangeable reflector

	Article number
SP	17 CM 0300-01
MFL	17 CM 0300-02
FL	17 CM 0300-03
WFL	17 CM 0300-04