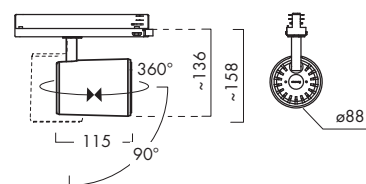


Spotlights KONO KTM



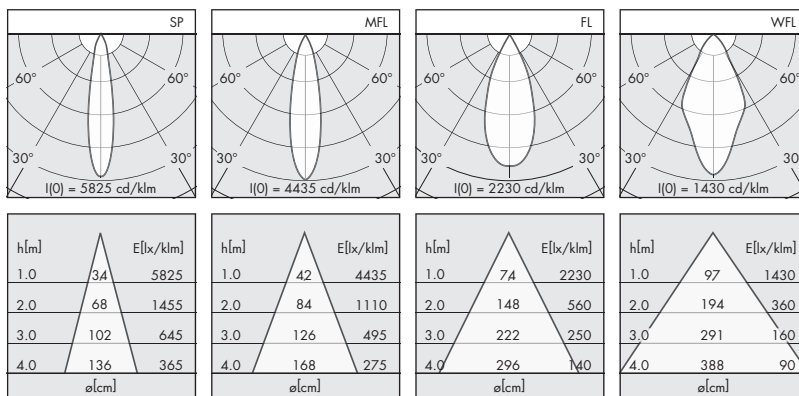
- Lighting technology LED
- For three-circuit track mounting (Global or Stucchi)
- Tilting and turning (360°/90°)
- With integral reflector SP, MFL, FL or WFL
- Connection data: 220-240 V, 50/60 Hz
- Weight 0.8 kg
- Colors: white/anthracite/silver

□ IP20



Photometric data	CRI Light colour	Lumen category	P _{system}	Efficiency	Reflector
	830	3000 lm	29 W	107 lm/W	SP MFL FL WFL
	840 927 Brilliant (930) = Best Color/Best White	Photometric data on request			

The information for the photometric values are standard values and refer to the entire luminaire. In the case of CRI ≥ 90 the efficiency is approx. 10-15 % lower.



Optional accessories

Interchangeable reflector

	Article number
SP	17 HLB 610
MFL	17 HLB 410
FL	17 HLB 210
WFL	17 HLB 110