

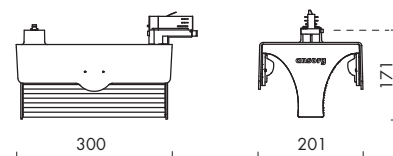
Spotlights

NAVO NSK_DDF



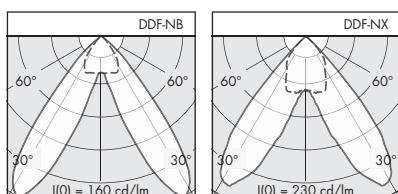
- Lighting technology LED
- Spotlight as two-directional washer
- For three-circuit track
- With integral reflector DDF-NB or reflector DDF-NX
- Interchangeable reflectors
- Connection data: 220-240 V, 50/60 Hz
- DALI control system is possible
- Weight approx. 2.2 kg
- Housing color: white/anthracite/silver

ERC  IP20



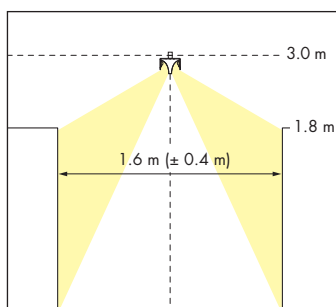
Photometric data	CRI Light colour	Lumen category	P _{system}	Efficiency	Reflector
	830	8000 lm	64 W	130 lm/W	DDF-NB DDF-NX
		12000 lm	94 W	130 lm/W	
	840 927	Photometric data on request			

The photometric values are standard values and refer to the entire luminaire.
In the case of CRI ≥ 90 the efficiency is approx. 10-15 % lower.

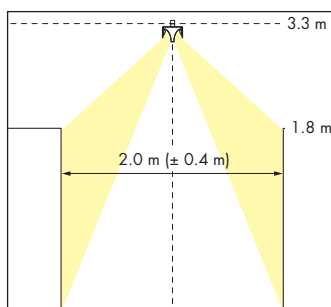


Planning information

DDF-NB
preferred mounting height track
3.0 m



DDF-NX
preferred mounting height track
3.3 m



Other aisle widths on request.

Optional accessories

Safety glass (1 pair)

Set of end lamellae reflectors for lateral glare suppression
(1 pair left/right)

Set of interchangeable reflector (1x reflector/1x lamellae)

Article number

17 AD 0100

for NB reflector **17 RF 2000**
for NX reflector **17 RF 2001**

NB reflector **17 RF 2002**
NX reflector **17 RF 2003**